

# DDS28

## Electronic Watt-hour Meter

DDS28 single phase static meter is a new generation of electronic watt-hour meter, which is designed for measuring energy consumption in single phase services with management applications in IEC compliant countries.

This meter complies with IEC 62053-21 and TISI.2543-2555 (Thailand Standard). With low power consumption, it is suitable for the users in electric utility, residential building, university, apartment project, etc.

### FEATURES

- Low power consumption.
- Support optical port communication.
- Temper-proof.

### MEASUREMENTS

- The meter measure the active energy in both directions.
- Network Status (Current reverse, Bypass).
- It measures the instantaneous value:

Voltage,  
Current,  
Active Power,  
Power Factor.

### DISPLAY

- Support 2 display mode.
  - Scrolling display
  - Button display
- The display items can be defined.



### ANTI-TAMPER & EVENT

- Meter cover open.
- Terminal cover open.
- Power off.
- Bypass
- Current reverse.

### HIGHLIGHT



Waterproof



Anti-tamper



Low power consumption



Neutral current measurement

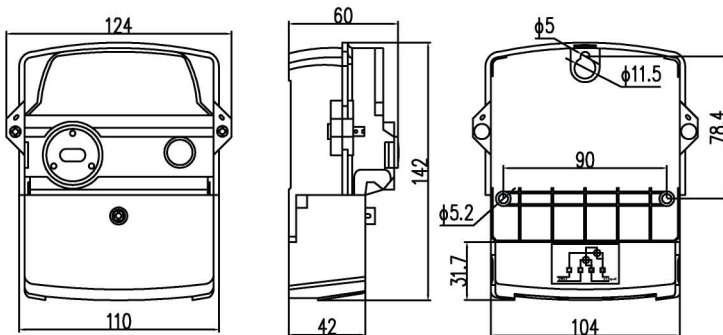


High security

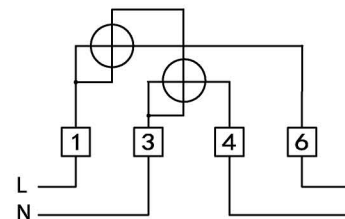
# SPECIFICATION

No.	Item	Description
1	Connection	Direct Type
2	Connection wiring	1Phase 2Wire
3	Standard	IEC 62053-21, TISI 2543-2555
4	Accuracy class	Active Class 1
5	Rated voltage	220V, 230V, 240V
6	Rated current	5(45)A, 5(100)A
7	Rated frequency	50Hz, 60Hz
8	Protection class	IP54 (Outdoor)
9	Power consumption	≤0.5W/7.5VA (Voltage circuit), ≤1VA (Current circuit)
10	AC voltage test	4kV, 1min
11	Impulse voltage test	6kV, 1mim
12	Operation temperature	-10°C ~ 70°C
13	Storage temperature	-55°C ~ 85°C
14	Clock accuracy	≤1s/Day
15	Battery capacity	Li 1200mAh/3.6V
16	Local communication	Optical port communication
17	Meter function	Anti tamper design, Low power consumption.
18	Meter case material	Polycarbonate
19	Dimension (WxHxD)	142x124x59 mm
20	Weight	0.4Kg

## DIMENSION & CONNECTION



Dimension (Unit:mm)



Connection



Holley Group Electric (Thailand) co.,Ltd.  
 No. 77/51 14th Floor, Sinn Sathorn Tower,  
 Krungthonburi Road, Klongthonsai, Klungsan,  
 Bangkok 10600 <http://www.holley.co.th>  
 Tel. (+662) 867-6971-3 Fax. (+662) 867-6980

